



Mahendra's

# VOCAB MASTER

For All Competitive Exams

**WORDS**

**IDIOMS**

**PHRASAL VERBS**

**&**

**MCQ**



LIVE 12:30 PM



# TOPICS TO BE COVERED

- **EXAM-BASED WORDS WITH PICTURE**
- **ANTONYMS – SYNONYMS**
- **IDIOM AND PHRASES**



# WORDS WITH PICTURE



# GENEOLOGY

12:30 pm

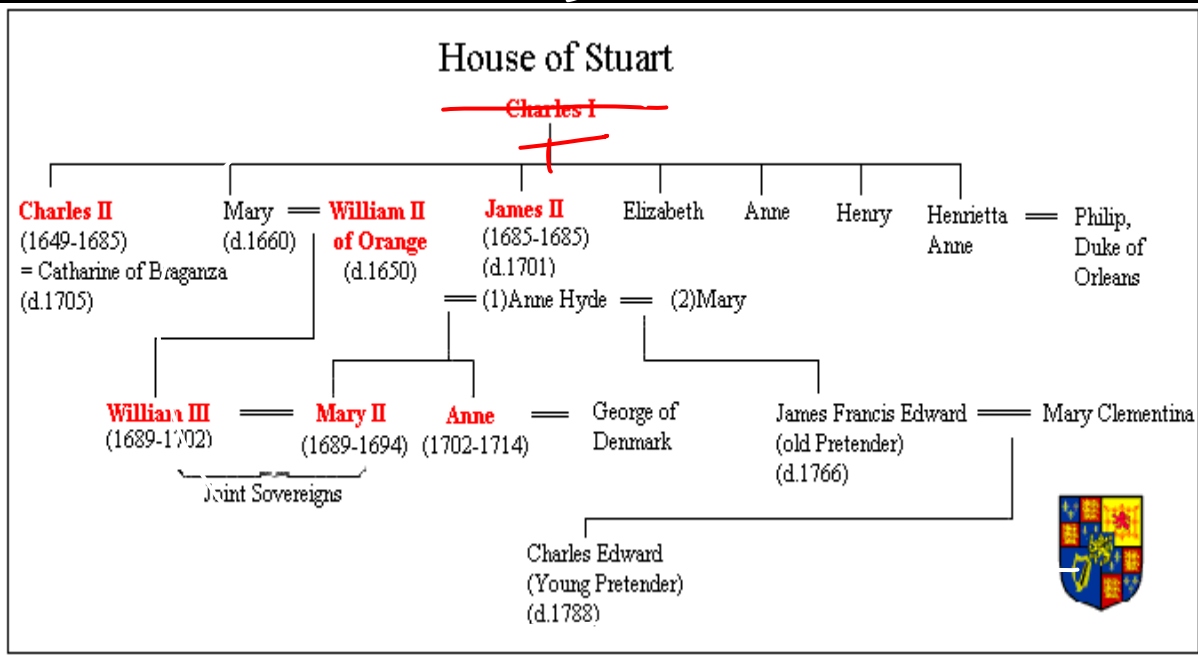
Parts of Speech : **Noun**

Meaning : **The study or tracing of the descent and history of a family, including the identification of ancestors, their relationships, and their biographical information.**

Synonyms : **Heritage**

Antonyms : **Anonymity , Alienation**

Sentence : **The genealogy of the royal family was meticulously recorded in historical documents dating back centuries.**

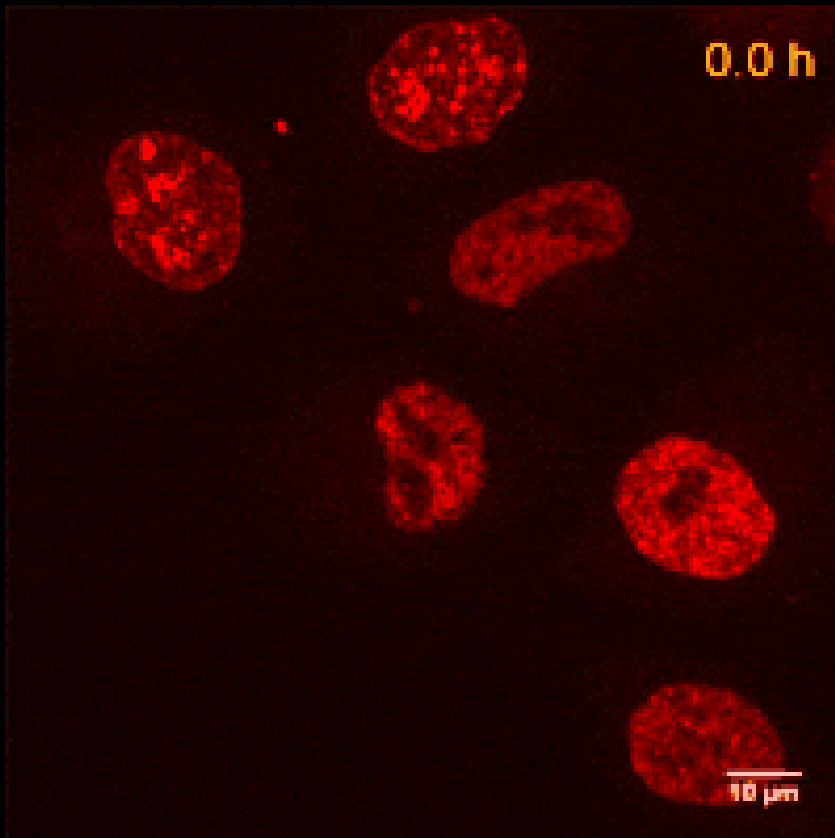




Maratha quota: Manoj Jarange  
seeks relaxation of genealogy  
clause in govt. order to end fast



# PROLIFERATION



Parts of Speech : **Noun**

Meaning : **The rapid and widespread increase or growth in the number or quantity of something**

Synonyms : **Escalation , Advancement**

Antonyms : **Decline , Abatement**

Sentence : **Concerns have been raised about the proliferation of nuclear weapons in certain regions of the world.**



# When crocodiles attack

Six deaths since June have thrown the people who live near the mangrove forests in eastern Odisha into panic and fear. Devastated by their loss, they also foresee the proliferation of the reptile affecting their riparian way of life. Some conservationists and government officials say there is no threat provided people stay away from the river, finds Satyasundar Barik



## RIPARIAN



Parts of Speech : Adj.

Meaning : **Relating to or located on the banks or shores of a river, stream, or other body of water.**

Sentence : **The local community organized a cleanup effort to preserve the riparian ecosystem and prevent pollution of the nearby creek.**





# When crocodiles attack

Six deaths since June have thrown the people who live near the mangrove forests in eastern Odisha into panic and fear. Devastated by their loss, they also foresee the proliferation of the reptile affecting their riparian way of life. Some conservationists and government officials say there is no threat provided people stay away from the river, finds Satyasundar Barik



# **ESTUARINE**

Parts of Speech : **Adj.**

Meaning : **Estuarine environments are characterized by their unique mix of fresh and saltwater and often support diverse ecosystems.**

Sentence : **The estuarine ecosystem at the mouth of the river is home to various species of fish, birds, and marine life that thrive in the brackish water conditions.**



Playfully, her son Ashutosh, 10, piggybacked on her as they emerged onto the banks. But a few seconds later, Acharya felt her son falling off. As her other children screamed, she turned around to see an estuarine crocodile grab the boy's leg and drag him into the river. Ashutosh's corpse was found on the opposite bank of the river. The festivities turned into a nightmare. "I had never imagined I'd lose my son this way. He was just snatched away from my embrace," says Acharya.



# DICAPITATED

**Meaning :** To cut off the head of a person or animal, typically as a form of execution or as a result of a violent act.

**Synonyms:** Executed , Beheaded

**Antonyms:** Spared , Preserved

**POS :** Verb

**Sentence :** The horror movie featured a gruesome scene in which one of the characters was decapitated by a supernatural force.

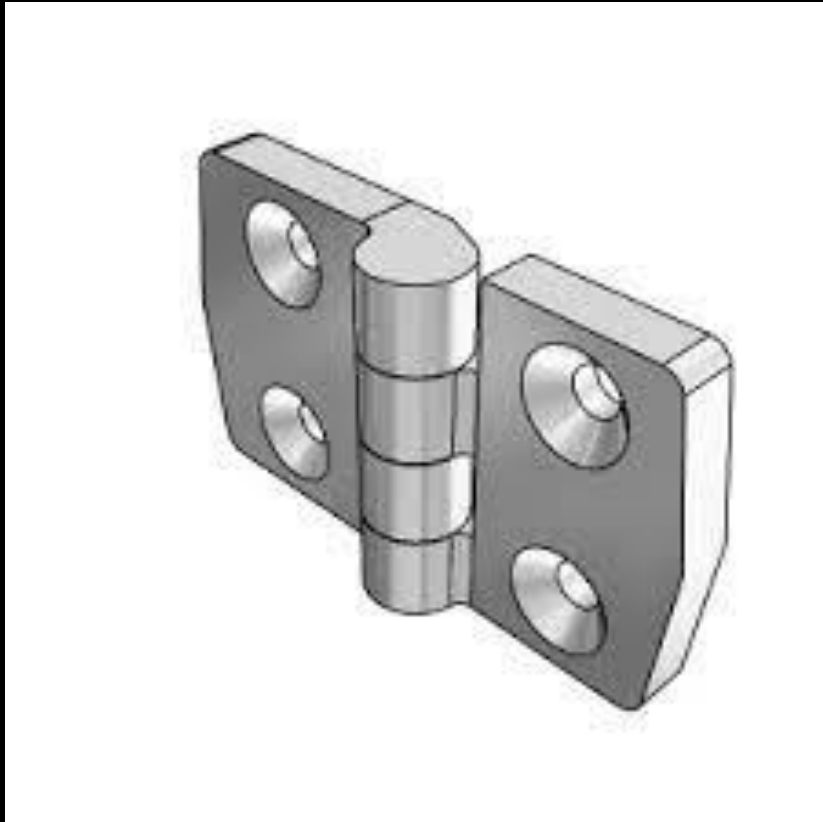




A week after Ashutosh was attacked and killed, Sitarani Das, 45, of Hatigadi village in Kendrapara, too fell prey to the powerful jaws of the estuarine crocodile. Das had been cleaning utensils in a creek. Her decapitated body was found after an hour-long search.



# HINGES



**Meaning :** A crucial or pivotal point or factor upon which something depends or turns.

**Synonyms:** Fulcrum , Swivel

Movable

**Antonyms:** Rigid , Immobile

**POS :** Noun

**Sentence :** The success of the project hinges on securing adequate funding from investors.



# Building consensus

The success of the G-20 summit hinges  
on a truce among fractious parties



# DISSIDENTS



Meaning : **Individuals or groups who publicly express strong disagreement, opposition, or dissent, especially against established political, social, or religious authorities or policies.**

Synonyms: **Agitators, Insurgents**

Antonyms: **Acquiescent, Followers**

POS : **Noun** *Dissent disagree*

Sentence : **The dissidents gathered in the town square to protest against the government's repressive policies.**





# Restoring order

ASEAN did well to call out the Myanmar junta's repression of dissidents



# STIFLE



Meaning : **To smother or suffocate someone or something by restricting airflow.**

Synonyms: **Quash , Curb**

Antonyms: **Unleash , Promulgate**

POS : **Verb**

Sentence : **The heavy smoke in the room made it difficult to breathe, and she felt like it was stifling her.**



assistance, and displaced two million. The military has also killed thousands in indiscriminate attacks on rebels and civilians. But despite this disproportionate use of violence, the regime has been unable to stifle dissent. In August, the military drew condemnation from the UN Security Council over “unrelenting violence”. Now, with the ASEAN move, it is evident that the regime stands isolated, while the domestic situation remains untenable. It is not clear whether a tough stance by ASEAN will have any immediate meaningful impact on the regime’s behaviour. But the bloc, which has leverage over the country, should continue to push the generals to end the violence and start talks. The only solution to the multiple crises Myanmar is facing is the restoration of a legitimate, responsible and responsive regime.

# TEST YOUR KNOWLEDGE





Synonyms of Dismay (noun): बेचैनी

Frustration

Syn ✓

Gratification

Ant

(1, 4)

(+ 1)

Encouragement

Disappointment

Meaning : Consternation and distress, typically caused by something unexpected

Solution : Frustration , Disappointment



Antonyms of Debasement (noun): मानमर्दन

Virtue

Righteousness

Debauchery

Abjection

अपमान

Meaning : The action or process of reducing the quality or value of something

Solution : Virtue , Righteousness



Synonyms of Ruses (noun): चाल

Stratagem

Tactic

Ploy

Gimmick

चाल

+

ALLA

Meaning : An action intended to deceive someone;  
a trick



Synonyms of Moiety (noun) : आधा भाग

Entire

Ant

Part

Whole

Full

Ant.

2

+1

Rest

-1

Meaning : two parts into which a thing can be divided

Solution : Part





Synonyms of Xenophobes (noun) : ज़ेनोफ़ोब्स

Internationalist

Nativist X

Antiforeigner

Comforting

2

Meaning : A person having a dislike of or prejudice against people from other countries.

Solution : Antiforeigner



Antonyms of Abode (noun): **निवास**

Home

House

Residence

Office

Meaning : **A place of residence; a house or home**

Solution : **Office**



## IDIOMS & PHRASES



The riot fanned the flames of racial hatred even more.

(A) to drive or ride around in something

(B) exert strong pressure on someone.

(C) to establish a particular mood or character for something

(D) to make a situation worse

**Solution : Option D**



Mr. Trump deleted his retweet on Tuesday after about five minutes, but not before the message sent to his 35 million followers racked up a big response.



(A) avoid succumbing to difficulties, typically debt

(B) to get a large number or amount of something

(C) to stop talking and start

(D) A way of asking what someone is thinking

Solution :Option B



She's not going to make any friends if she walks around with a chip on her shoulder like that.

**(A) attracts the most attention and praise.**

**(B) an angry attitude from someone who feels unfairly treated**

**(C) to be in command; to have the authority to make decisions**

**(D) to win a prize or competition very easily**

**Solution : Option B**





He also denied that he had tired out of playing second fiddle to Lionel Messi at Barcelona.

**(A) to move quietly and cautiously back to someone or something**

**(B) A made up story hard to believe**

**(C) To play a supporting or minor role in relation to someone else**

**(D) withdraw from an undertaking**

**Solution : Option C**





# HOMEWORK

**RAMIFICATIONS**



12:30

**THANK  
YOU**